

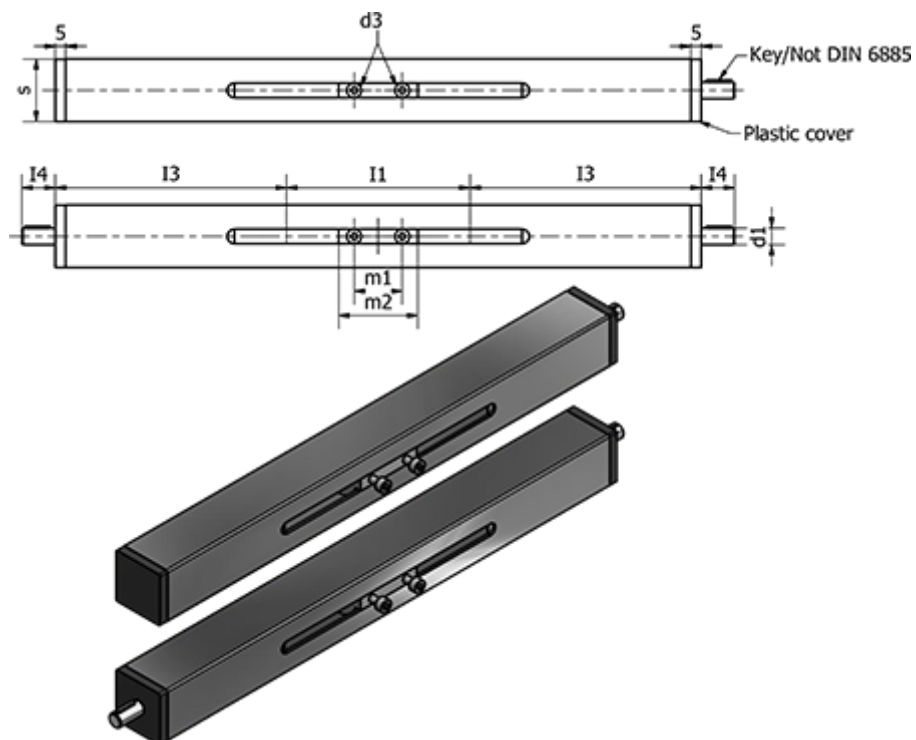
Data Sheet



Article number: 2029115065R2SCR

Description: E+G Linear actuators - GN 291.1-50-65-R2-SCR

Measures



$d_1 f_7 = 12$

$d_2 = M6$

$I_1 = 65$

$I_2 = I_2 + 245$

$I_3 = 122.5$

$I_4 = 18$

$m_1 = 42$

$m_2 = 54$

Max. travel = 1565

$s = 50$

Shaft key DIN 6885 = A4x4x12

Shaft thread = TR20x4